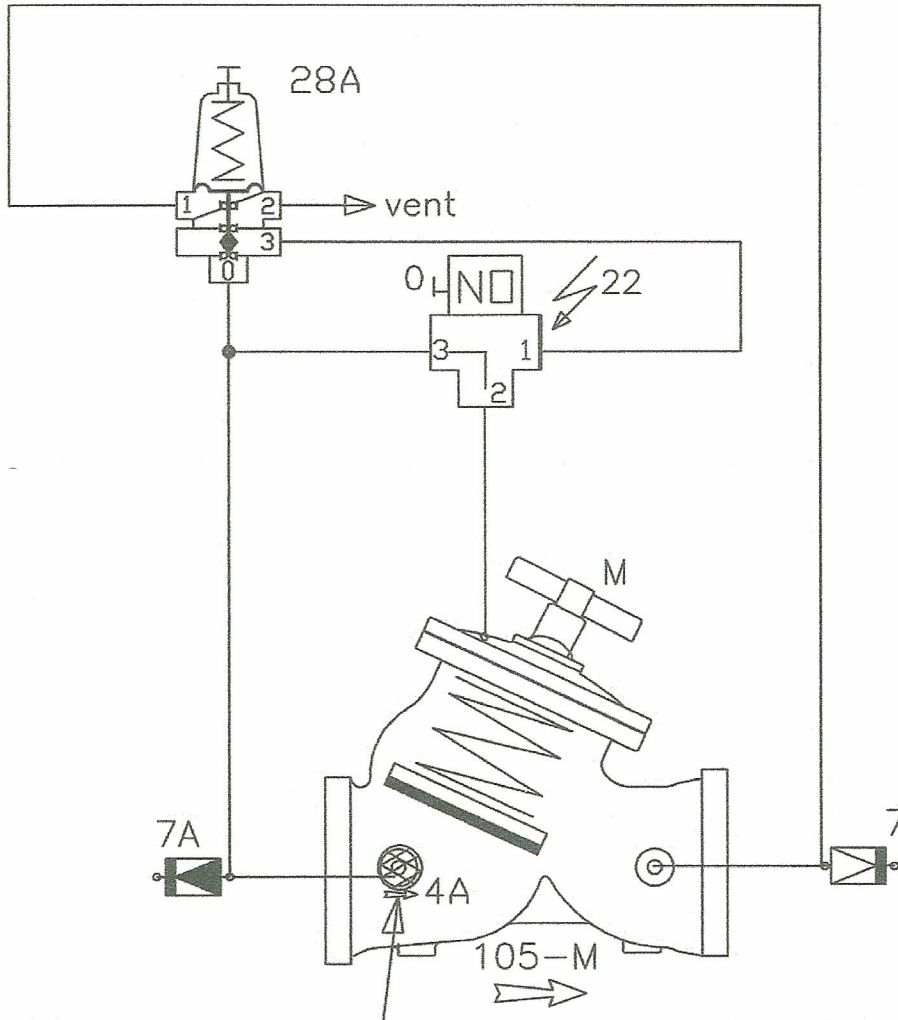


## 120-55-X-3NC

Solenoid Control & Pressure Reducing Valve  
 S-200 Solenoid and X-Pilot/3-Way Loop  
 Normally Closed Main Valve  
 (2 in thru 4 in)



Make sure that arrow on filter matches the same flow direction stamped on valve.

### PART LIST

- |       |   |
|-------|---|
| 0     | Manual Override - Black Knob                                    |
| 4A    | Inline Filter-Stagnation  |
| 7&7A  | Pressure Gauge Connection                                       |
| 22    | 3-Way N.O Bermad Solenoid S-200                                 |
| 28A   | 3-Way Universal Pilot (PC-X-A)- Pressure Reducing Configuration |
| 105-M | Main Valve-w/Manual Closer Knob                                 |
| M     | Manual Closer Knob  |