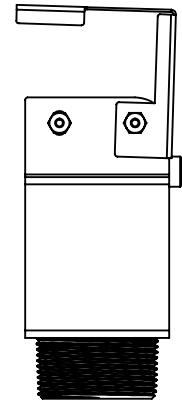
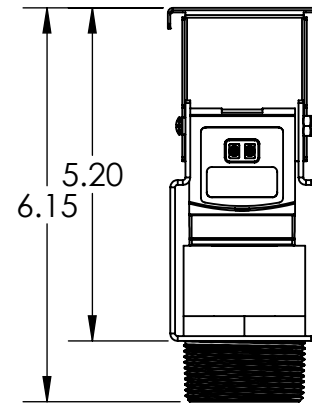
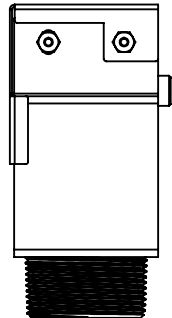
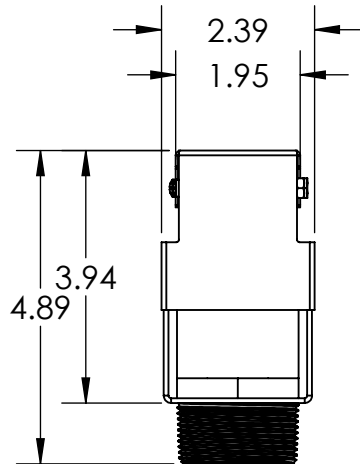
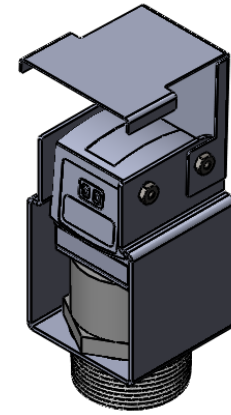
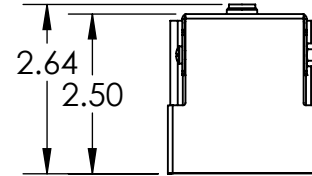
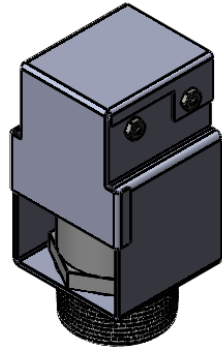
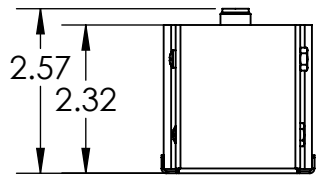


Weathershield Closed

Weathershield Open



Dimensions in inches

TITLE: LevelRite w Weathershield

AgRite
180 Lakeview Rd
Watsonville, CA 95076, USA
P: 831-818-5122

www.ag-rite.com



SCALE: 1:2

3/30/2015